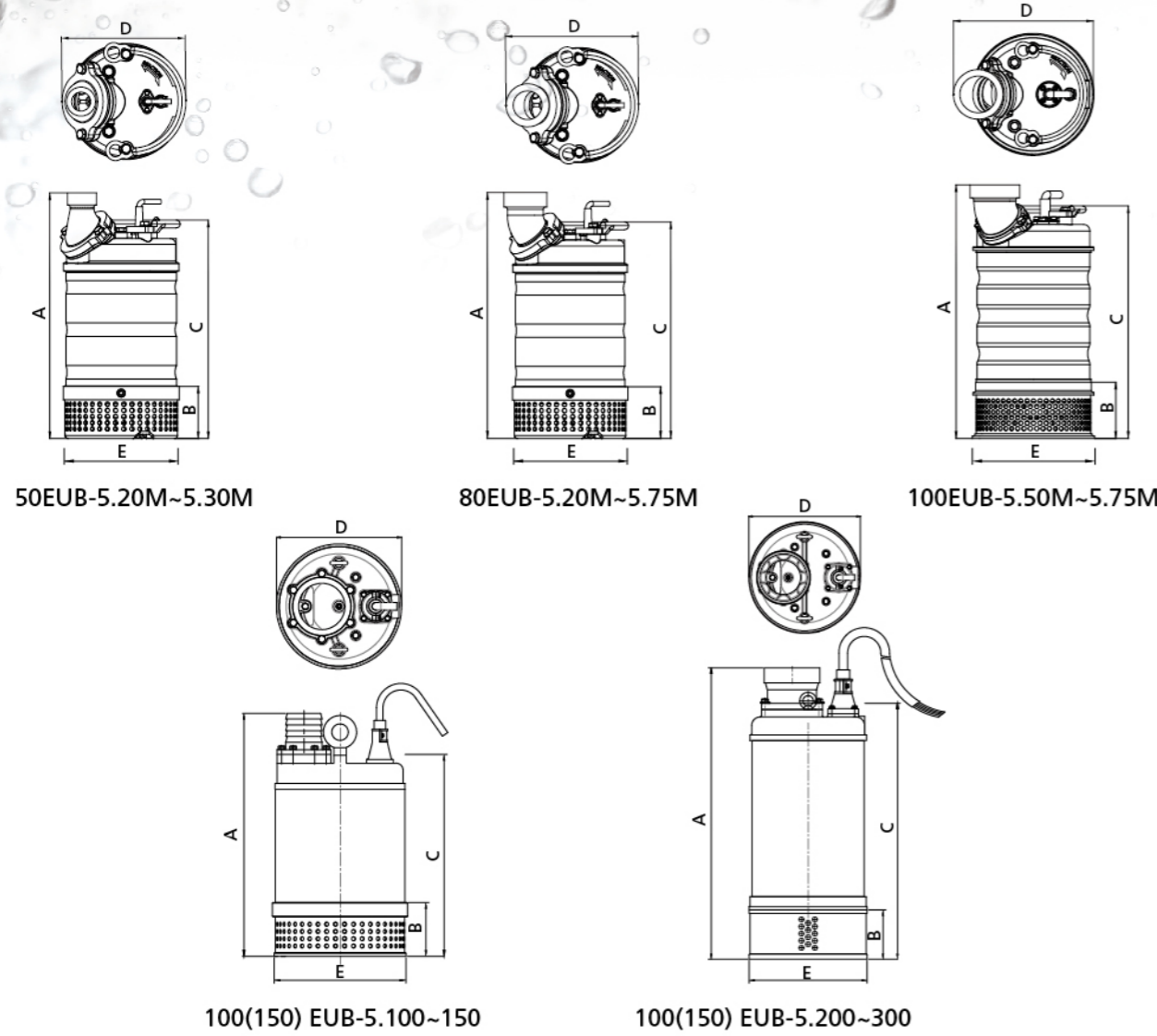


## EUB-Series Dimensions



Dimensions (mm)					
Type	A	B	C	D	E
50EUB-5.20M	508	108	452	256	239
80EUB-5.20M	513	108	452	276	239
50EUB-5.30M	538	108	478	258	239
80EUB-5.30M	542	108	478	278	239
80EUB-5.50M	559	88	513	277	243
100EUB-5.50M	560	88	513	289	243
80EUB-5.75M	589	131	539	310	283
100EUB-5.75M	588	131	539	324	283
100(150)EUB-5.100	765	158	662	317	317
100(150)EUB-5.150	855	195	720	354	350
100(150)EUB-5.200	864	146	759	354	350
100(150/200)EUB-5.300	1043	200	938	424	420



**EVAK PUMP TECHNOLOGY CORP.**

No. 551, Zhongshan Rd., Qingshui Dist., Taichung City 436, Taiwan.  
 TEL: +886-426-233556 Fax: +886-426-235559

Vol. PEUB-14011



# EUB

## SERIES 50HZ

Contractor Drainage Pumps



[www.evak-pumps.com](http://www.evak-pumps.com)

# EUB SERIES 50HZ

## Construction Dewatering Pump

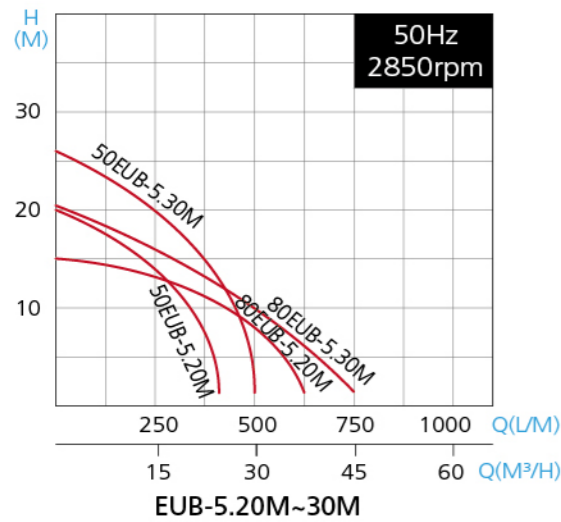
### Feature

- / Vortex impeller made of High Chrome Steel
- / High resistance to abrasive liquids
- / Stainless steel outer casing & strainer
- / Double mechanical seal in Si. Ca
- / Shaft in Stainless steel AISI 410
- / Highly efficient cooling system for long lasting pumping life

### Application

- / Site drainage, mining, tunneling, public works, floods
- / Cement industry, river intake, civil engineering projects

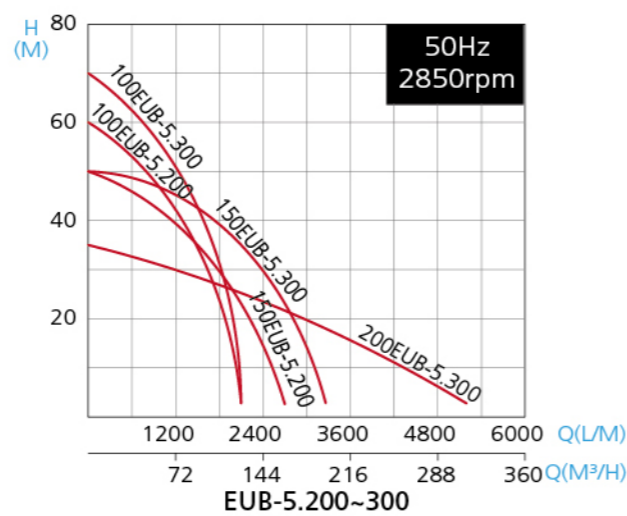
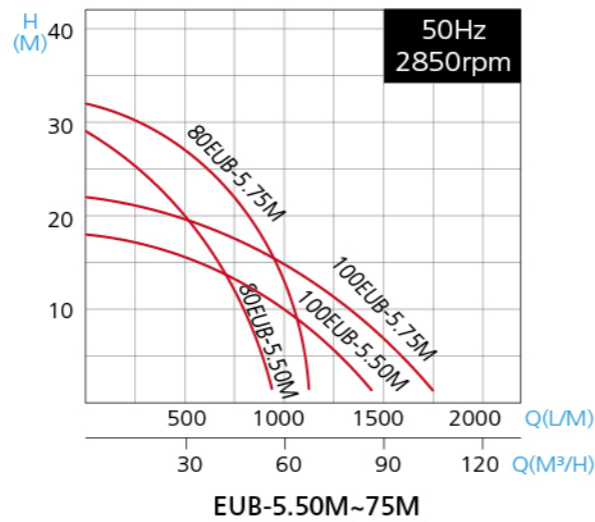
### Performance Curve



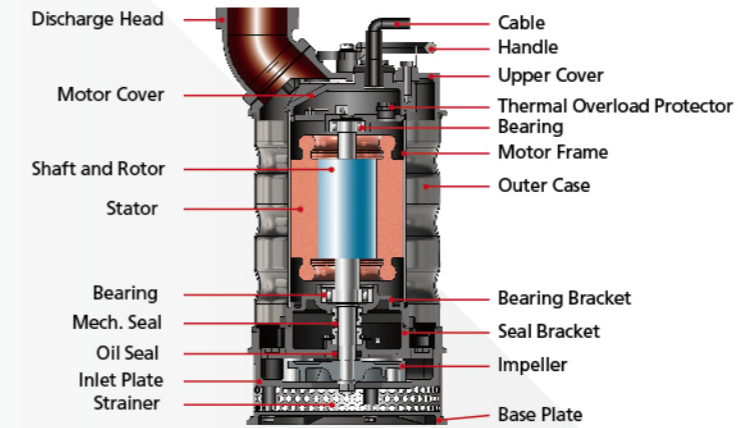
EUB-5.20M~75M      EUB-5.100      EUB-5.150~300

### Specifications

Liquid Temperature	0~40°C (32~104°F)	
Submersible depth	10M	
Motor Part	Frequency	50Hz
	Pole	2 Pole
	Type	Dry Type
	Insulation	Class F
	Protection	IP 68
Pump Part	Protector	Auto-Cut
	Bearing	Ball Type
	Mechanical seal	Dual. Mechanical Seal
	Impeller	Semi-Open

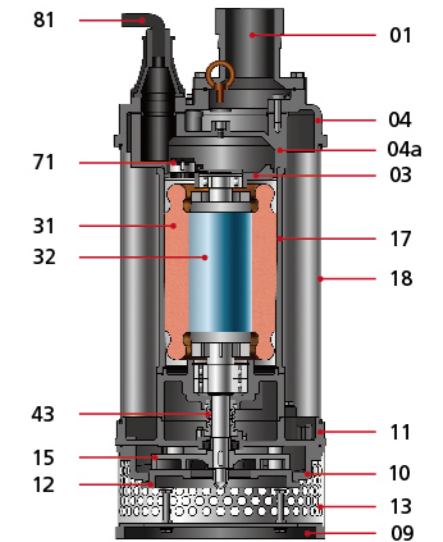


### Parts and Material List



EUB-5.20M~75M

Part No.		Part		Material
2HP	3HP	5HP	7.5HP	
58	49	52	57	Cable
61	53	56	60	Handle
24	24	32	27	Upper Cover
45	45	42	46	Thermal Overload Protector
12;19	12;19	3	12;22	Bearing
14	14	8	18	Motor Frame
17	40	9	10	Outer Case
11	11	2	11	Bearing Bracket
8	8	15	7	Mech.Seal
				Upper: CA/CE
2	2	10	2	Seal Bracket
48	61	38	49	Impeller
36	35	26	37	Inlet Plate
-	-	-	40	Base Plate
52	65	45	68	Discharge Head
50	63	49	51	Motor Cover
43	43	40	44	Shaft and Rotor
44	44	41	45	Stator
7	7	21	32	Oil Seal
39	38	28	39	Strainer
				SUS-304



EUB-5.100~300

No	Part	Material
01	Discharge Head	FC-20
03	Switch Plate	FC-20
04	Motor Cover	FC-20
04a	Upper Cover	FC-20
09	Base Plate	FCD-45
10	Pump Casing	FC-20
11	Seal Bracket	FC-20
12	Inlet Plate	FC-20
13	Strainer	SUS-304
15	Impeller	High Chrome Steel
17	Motor Frame	SUS-304
18	Outer Case	SUS-304
31	Stator	
32	Shaft and Rotor	
43	Mech. Seal	CE/CA+SIC/SIC
71	Thermal Overload Protector	Klixon/Yamada
81	Cable	H07RN-F/STW/PVC

### Data Chart

Type	Output		Discharge	F.L.A.		Rated		Maximum		Cable	Free Passage	Weight
	HP	KW		1ø 230V	3ø 400V	Head m	Cap. LPM	Head m	Cap. LPM			
50EUB-5.20M	2	1.5	2"	10.7	3.5	14	250	20	430	10	9	33
80EUB-5.20M	2	1.5	3"	10	3.5	8	500	14.5	670	10	9	33
50EUB-5.30M	3	2.2	2"	-	4.9	15	300	26	500	10	9	35
80EUB-5.30M	3	2.2	3"	-	4.9	10	500	20.5	700	10	9	35
80EUB-5.50M	5	3.7	3"	-	9	20	500	29	900	10	10	42
100EUB-5.50M	5	3.7	4"	-	9	10	1000	18	1440	10	10	42
80EUB-5.75M	7.5	5.5	3"	-	12.4	25	600	32	1100	10	10	60
100EUB-5.75M	7.5	5.5	4"	-	12.4	15	1000	22.5	1750	10	10	60
100EUB-5.100	10	7.5	4"	-	16.5	28	700	42	1600	10	15	93
150EUB-5.100	10	7.5	6"	-	17	15	1500	28	2250	10	15	97
100EUB-5.150	15	11	4"	-	24	35	1000	48.5	1450	10	15	135
150EUB-5.150	15	11	6"	-	24	20	1700	32.5	2450	10	15	137
100EUB-5.200	20	15	4"	-	33	40	1000	56	1700	10	15	141
150EUB-5.200	20	15	6"	-	33	30	1500	45	2500	10	15	142
100EUB-5.300	30	22	4"	-	50	55	1000	70	2000	10	15	256
150EUB-5.300	30	22	6"	-	49.5	35	2000	50	3200	10	20	259
200EUB-5.300	30	22	8"	-	43	20	2900	35	5200	10	20	264