

EUB/EUBR-Series 50HZ Submersible Dewatering Pump



EUB-5.05~10



EUBR-5.05~10

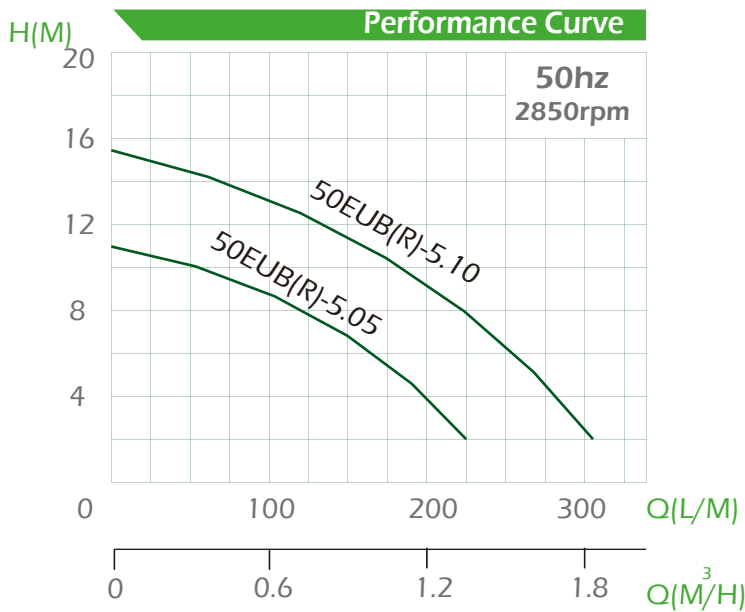
EUB/R 50Hz

Feature

- >High abrasive resistance resin Vortex impeller
- >Double mechanical seal
- >Auto reset thermal protector
- >Compact design & Lightweight
- >Oil free motor & SST 410 motor Shaft

Application

- >Residential, commercial, industrial dewatering and site drainage
- >Construction sites and civil engineering projects
- >Basement, parking lots, removing residue water (EUBR)

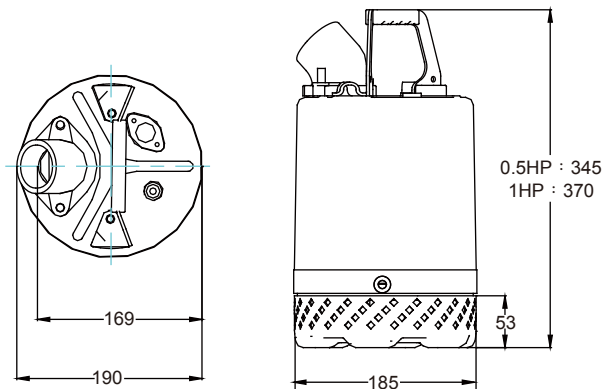


Urethane Rubber Impeller

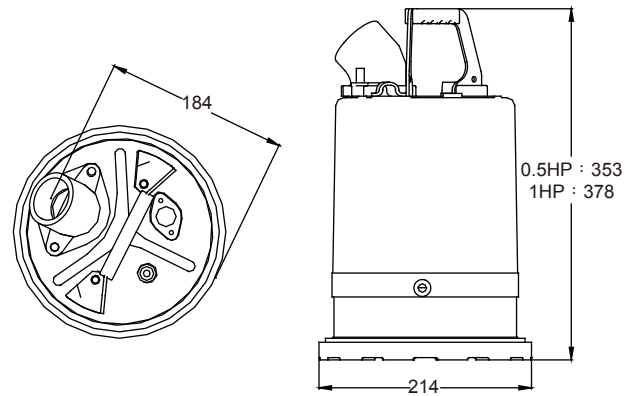
MODEL	Output		Discharge		Rated		Maximum		Weight
	HP	W	Inch	mm	Head M	Capacity LPM	Max Head M	Max Capacity LPM	Kg
50EUB-5.05	0.5	400	2"	50	8	120	11	225	13
50EUBR-5.05	0.5	400	2"	50	8	120	11	225	12
50EUB-5.10	1	750	2"	50	10	190	15.8	310	16
50EUBR-5.10	1	750	2"	50	10	190	15.8	310	15

All technical information is subject to change without notice.

Dimension(mm)



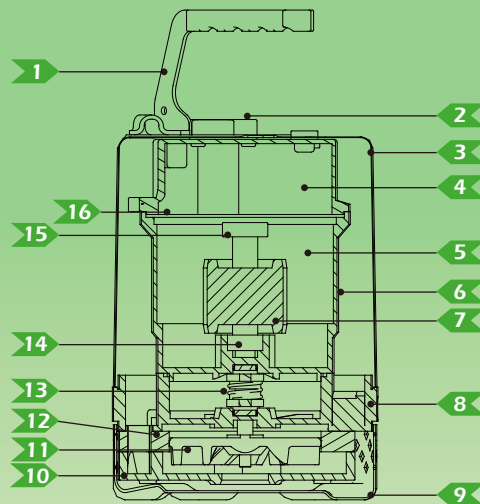
50EUB-5.05~10



50EUBR-5.05~10

50EUB-5.05~10 Parts and Material List

No.	Part	Material
1	Handle	SS400
2	Motor Head cover	ADC12
3	Out cover	SUS304
4	Capacitor	
5	Stator	
6	Motor housing	ADC12
7	Shaft & Rotor	SUS410
8	Seal casing	ADC12
9	Strainer	SUS304
10	Pump housing	FC20
11	Impeller	TPU 1/2HP
		HytreI 1HP
12	Packing	NBR
13	Mechanical Seal	SIC/SIC
14	Lower bearing	
15	Upper bearing	
16	Motor bracket	SS400



50EUBR-5.05~10 Parts and Material List

No.	Part	Material
1	Handle	SS400
2	Motor Head cover	ADC12
3	Out cover	SUS304
4	Capacitor	
5	Stator	
6	Motor housing	ADC12
7	Shaft & Rotor	SUS410
8	Seal casing	ADC12
9	Pump base	NBR
10	Pump housing	FC20
11	Impeller	TPU 1/2HP
		HytreI 1HP
12	Packing	NBR
13	Mechanical Seal	SIC/SIC
14	Lower bearing	
15	Upper bearing	
16	Motor bracket	SS400

